



KYTMAP-YX Pressure & Temperature Sensors

Description:

KYTMAP series of gas intake pressure sensors adopts the technology of the back pressure, can measure both pressure and temperature of the medium with excellent media compatibility (especially can withstand H₂S in natural gas). And it has the characteristics of wide working temperature range, good stability and reliability.

Applications:

Engine intake manifold pressure and temperature detection
 Gas Pressure - Temperature detection
 Auxiliary intake air quantity and temperature calculation
 Auxiliary overheating, booster protection
 Auxiliary highland compensation



Features:

- ◆ Imported back pressure chip improve the corrosion resistance(especially H₂S);
- ◆ Operating temperature -40℃ and 125℃
- ◆ High precision and good stability
- ◆ Anti-shock, anti-vibration, Good interchangeability at site

Specifications

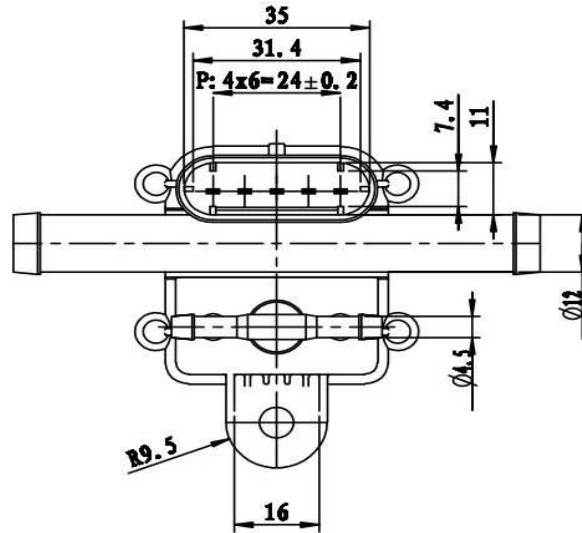
Parameter	Value	Units
Supply Voltage	12	VDC
Media	Clean Natural gas and air	—
Pressure Range	20~400(absolute)	kPa
Performance guarantee pressure	600(absolute)	kPa
Burst Pressure	800(absolute)	kPa
Output Voltage	0.2~4.8 (@ V _{cc} =5.0VDC) ⁽¹⁾	VDC
Error in normal temperature	± 1.0	%FS
Error in working temperature range	± 3.0	%FS
Operating Temperature	-40~125	℃
Resistance of temperature sensor at room temperature	3950	—
B Value of temperature sensor(B25/50)	5	kΩ
Storage Temperature	-40~125	℃
Operating Current	< 20	mA
Long-term Stability	±0.5	%FS/year
response time	2.0	ms
Notes	Proportional voltage output	



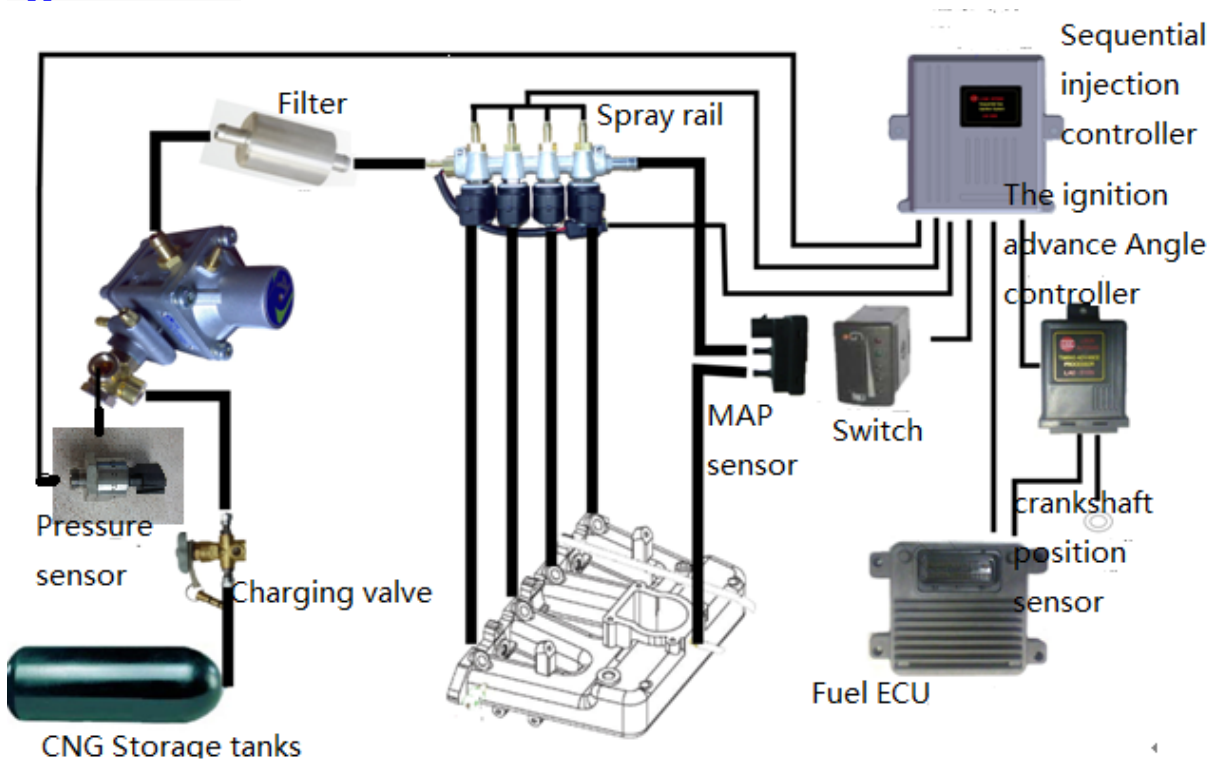
Application Description:

It can detect spray rail gas pressure, temperature, and the air intake manifold pressure. Sensors transmit the signal to ECU and the ECU setting the best air-fuel ratio to control gas injection time. This is for saving energy and emission reduction.

Product Diagram:



Application Picture



Gross Weight: 54g

Net Weight: 41.5g

Xinhui KangYu Control Systems Engineering, Inc.

Guifeng Hightech Village, Ximen Rd., Xinhui District, Jiangmen City, Guangdong 529100, P.R. China

Tel: 86-750-6318857 Fax: 86-750-6318900 E-mail: sale@chinakangyu.com Website: www.chinakangyu.com