



KYB3000 Sapphire Pressure Transmitter

Description:

KYB3000 use the foreign famous brands' silicon-on-sapphire pressure sensor with high-precision and high stability, by using the back-end amplifier circuit with high reliability, to convert the pressure signal of measured medium into a standard electrical signal output. The overall structure of the series without isolating diaphragm and intermediary liquid, the measured medium contact with titanium alloy diaphragm directly, with the characteristics of corrosion resistance, abrasion resistance, minimal zero drift.

Applications:

Petroleum and chemical industry
Steel and metallurgical industry
Power plants, nuclear power plants
Aerospace field

Features:

- ◆ Wide range, high accuracy
- ◆ Ultra wide applicable temperature range, temperature characteristics of superior
- ◆ High stability, high reliability
- ◆ Exquisite shape, strong structure
- ◆ Can be customized according to clients' requirements



Specifications:

Measuring media	liquid, gas or vapor compatible with stainless steel 304
Pressure range	any range within 0 ~ 60MPa (minimum range is 0~4KPa)
Overall accuracy	±0.25%、±0.5%
Supply voltage	14~36VDC, standard 24VDC±5%, ripple < 1% (with digital display meter, minimum supply voltage is 17VDC)
Output signal	4 ~ 20mA (two wire)
Electrical connection	3060 series: M20x1.5 internal thread, sealed cable connector 3018 series: cable
Medium temperature	-40~120 °C
Effect of temperature	±1.5%FS
Stability	±0.25% FS/year, ±5.0% FS/year
Overload pressure	two times larger than the full range or 90MPa (take small value)
Levels of protection	IP65



Application Description:

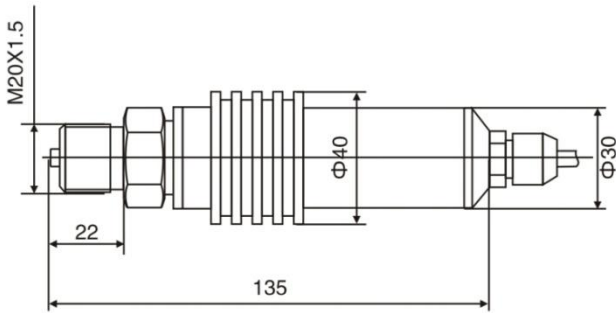
This series widely used in oil field, mine, aerospace, steel, metallurgy, nuclear power plants and other applications which is wide temperature range, high-pressure, high-precision and corrosive applications.

Ordering Information:

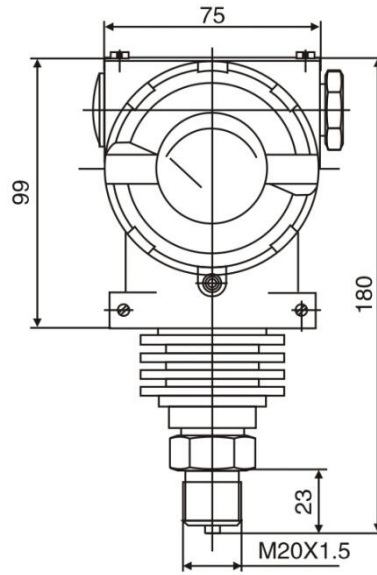
KYB3018	KYB3018 Sapphire Pressure Transmitter					
KYB3060	KYB3060 Sapphire Pressure Transmitter					
	G	gauge pressure				
		code	measuring range		accuracy	
			LRV	URV		
		02	0~4KPa	0~10KPa	±0.5%	
		03	0~10KPa	0~16KPa	±0.25%	
		04	0~16KPa	0~60KPa	±0.25%	
		05	0~60KPa	0~100KPa	±0.25%	
		06	0~100KPa	0~600KPa	±0.25%	
		07	0~600KPa	0~1MPa	±0.25%	
		08	0~1MPa	0~1.6MPa	±0.25%	
		09	0~1.6MPa	0~2.5MPa	±0.25%	
		10	0~2.5MPa	0~4MPa	±0.25%	
		11	0~4MPa	0~6MPa	±0.25%	
		12	0~6MPa	0~10MPa	±0.25%	
		13	0~10MPa	0~16MPa	±0.25%	
		14	0~16MPa	0~20MPa	±0.25%	
		15	0~20MPa	0~25MPa	±0.25%	
		16	0~25MPa	0~35MPa	±0.25%	
		17	0~35MPa	0~40MPa	±0.25%	
		18	0~40MPa	0~60MPa	±0.25%	
			M1	4~20mA		
				P2	M20x1.5 thread	
					B1	with simulation table (only series 3060)
					B2	with digital display table (only series 3060)
						user calibrate range
KYB3060	G	08	M1	P2	B1	(0~1.4MPa)



Product Diagram:



KYB3018



KYB3060

Xinhui KangYu Control Systems Engineering, Inc.

Guifeng Hightech Village, Ximen Rd., Xinhui District, Jiangmen City, Guangdong 529100, P.R. China

Tel: 86-750-6318857 Fax: 86-750-6318900 E-mail: sale@chinakangyu.com Website: www.chinakangyu.com