



KYB14 Series Differential Pressure Transmitters

Description

KYB14 use famous brand high accuracy, high stability pressure sensor, the precision temperature compensation and amplification process converts the differential pressure signal measured medium into a standard signal output. High-quality sensors, superb packaging technology and improve the assembly process to ensure high quality and excellent performance.

Applications

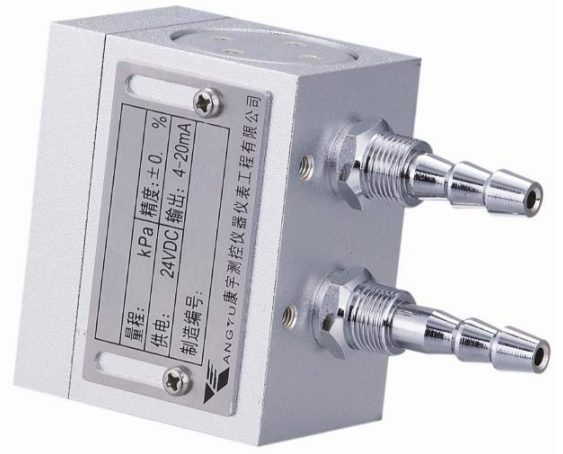
- Detection equipment supporting
- Medical Devices supporting
- Furnace pressure detection
- Dust Removal in the field of environmental protection

Features

- ◆ High measurement accuracy
- ◆ High stability, high reliability
- ◆ Compact structure, easy to install
- ◆ Intrinsically safe, wide application
- ◆ Customized available

Application Description

The series has a variety of connectors and outlet options, with convenient installations, especially suitable for chamber pressure measurement, dust control and blower equipment and professional testing equipment and other supporting applications.



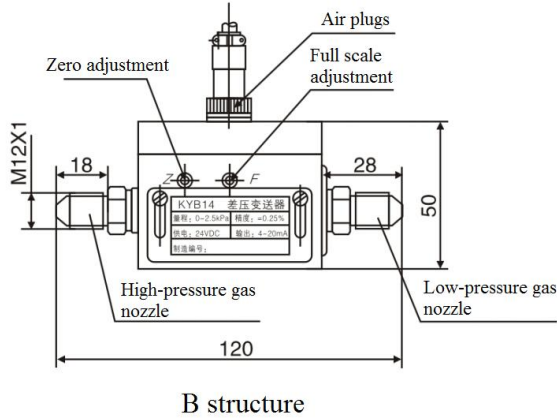
Structure A



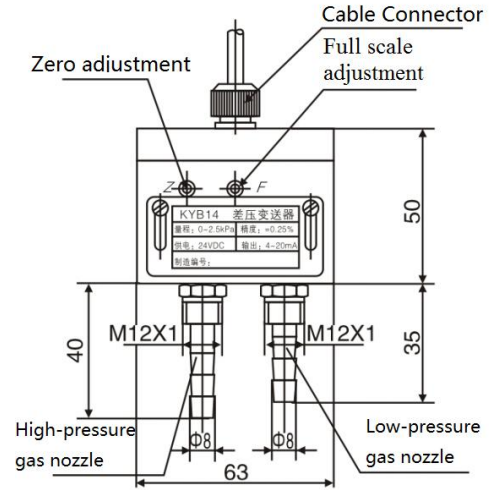
Structure B



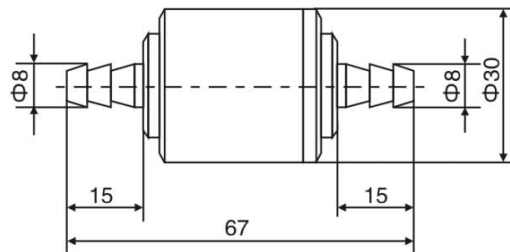
Dimension



B structure



A structure



Dust dry filter

Specifications

Parameter	Value
Product Type	Diffused silicon pressure transmitter
Measure Media	Non-corrosive, non-dust, dry gas
Pressure Range	0~250KPa (Minimum range: 0~0.4KPa)
Output signal	4~20mA(2-wire), 0~5VDC(3-wire)
Operating Voltage	14~30VDC, Standard: 24VDC \pm 5%, Ripple less than 1%
Medium Temperature	-10~70 $^{\circ}$ C
Error in normal temperature	\pm 0.25%FS, \pm 0.5%FS, \pm 1.0%FS
Error in working temperature range	\pm 1.5%FS(\pm 0.25%FS in normal); \pm 3.0% FS(\pm 0.5%FS in normal); \pm 5.0% FS(\pm 1%FS in normal);
Error in time drift	\pm 0.25% FS/year (\pm 0.25%FS in normal) ; \pm 0.5% FS/year (\pm 0.5%FS in normal) ; \pm 1% FS/year (\pm 1%FS in normal)
Stability	\pm 0.25%FS/Y(0.25 grade)、 \pm 0.5%FS/Y(0.5 grade)、 \pm 1.0% FS/Y(1 grade)
Pressure Over-loaded	2 X
Housing material	Aluminum
Explosion-proof mark	Intrinsically safe meet GB3836.1 GB3836.4 standards, mark: ExiaIIC T5

※Note: If measure gas with dust or moisture, please make a special note when ordering, we have dust-dry filter available.

How To Order

KYB-14 A 02 M1 P1 C2 (i) - II

Structure

A Structure A

B Structure B

Range

Code	Range	Accuracy
01	0.4KPa-1KPa	±1.0%
02	1KPa-2.5KPa	±0.5%
03	2.5KPa-7KPa	±0.25%
04	7KPa-30KPa	
05	30KPa-100KPa	
06	100KPa-250KPa	

Output

M1 4-20mADC

V 0-5VDC*

Pressure Connection

P1 M12×1 external thread

P7 Φ8 Gas nozzle (With M12×1 Mounting thread)

P8 Quick Connector

Px Customized

Connection

C1 Aviation plug

C2 Cable(standard length 1m)

Safety

i Intrinsically Safe ExialICT5* (Optional)

KYB14A02M1P1C2i- II (0-2KPa)

* Intrinsically safe products support current output only

Black font is required; Red font is optional.