



KYB600F Flange Liquid Level Transmitter

Description:

KYB600F use branded high accuracy and high stability pressure sensor and back-end amplifier circuit with high reliability, to convert the liquid level signal of measured medium into a standard electrical signal output. High-quality sensors, exquisite packaging technology and good assembly process to make sure products with high quality and excellent performance.

Applications:

Detect and control the pressure of industrial processes
Power, steel and metallurgy industries
Liquid pressure or pneumatic control system
Pharmaceutical and food industries
Petroleum, chemical industry

Features:

- ◆ Wide range, high accuracy
- ◆ Available with display meter, easy to read
- ◆ Effective anti-clogging and anti-condensation
- ◆ High stability, high reliability
- ◆ Can be customized according to clients' requirements

Parameters:

Measuring media	various liquids compatible with stainless steel 304
Pressure range	any range within 0~3.5MPa (minimum range is 0~10KPa)
Overall accuracy	±0.25% FS、±0.5% FS
Supply voltage	14~36VDC, standard 24VDC±5%, ripple < 1% (If with digital display meter, minimum supply voltage is 17VDC)
Output signal	4~20mA (two wire)
Electrical connection	M20 x1.5 internal thread, sealed cable connector
Medium temperature	- 10~70 ℃
Effect of temperature	±2.5% FS, ±5% FS
Stability	±0.25% FS/year, ±5.0% FS/year
Overload pressure	2X
Protection	IP65

Application Description:

This series are solid structure, beautiful appearance, flange size specifications and other characteristics, widely used in all kinds of industrial processes to control the pressure and liquid level ,can best meet the demand of customer. Especially suitable for detect and control the pressure of industrial processes, power, steel and metallurgy industries, liquid pressure or pneumatic control system, pharmaceutical and food industries, petroleum, chemical industry.



How To Order

KYB-600F **03** **M1** **F2** **A2** **B1** **-I**

Code	Range	Accuracy
02	10KPa-35KPa	±0.5%
03	35KPa-100KPa	} ±0.25%
04	100KPa-200KPa	
05	200KPa-700KPa	
06	700KPa-1.7MPa	
07	1.7MPa-3.5MPa	

M1 4-20mADC

F1 DN80-PN2.0MPa
F2 DN100-PN2.0MPa
F3 DN80-PN5.0MPa
F4 DN100-PN5.0MPa

A0 0mm (flat flange type)
A1 50mm (inserted flange type)
A2 100mm (inserted flange type)
A3 150mm (inserted flange type)

B1 Analog display

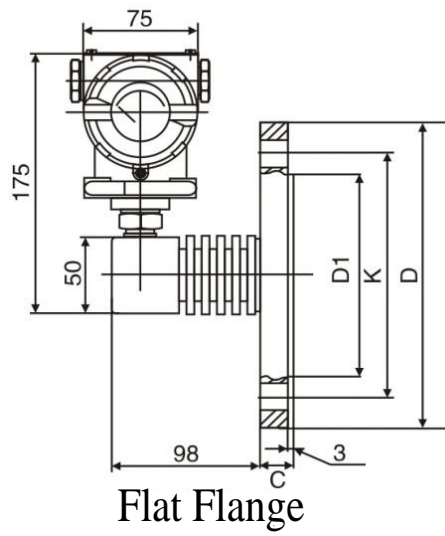
B2 Digital display**

KYB600F03M1F2A2B1-I (0-70KPa)

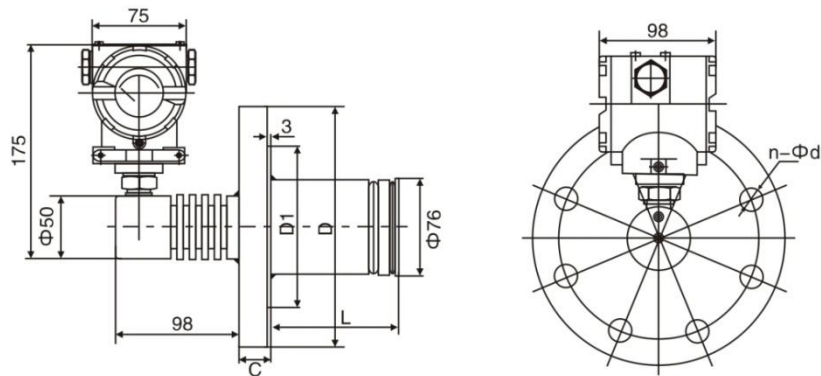
Black font is required; Red font is optional.

When the range code is 07, the flange code support F3 and F4 only.

Product Diagram:



Flat Flange



Insert Flange

Flange Code	Flange Specifications	D	D1	K	C	N- Φd	L	Flange Standard
F1	DN80-PN2.0MPa	190	127	152.5	19.5	4- $\Phi 20$	0(A0)	GB9113.6
F2	DN100-PN2.0MPa	230	157.5	24	24	8- $\Phi 20$	50(A1)	
F3	DN80-PN5.0MPa	210	127	29	29	8- $\Phi 22$	100(A2)	GB913.7
F4	DN100-PN5.0MPa	255	157.5	32	32	8- $\Phi 22$	150(A3)	